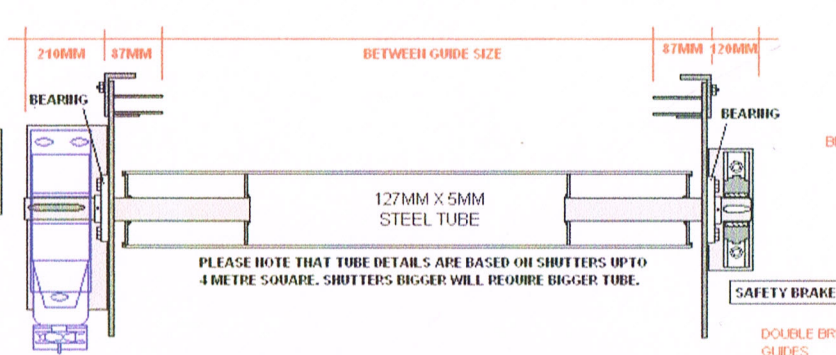
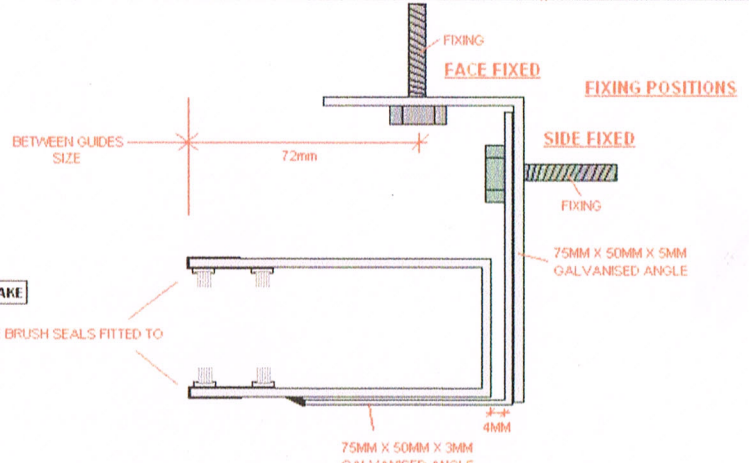


DIRECT DRIVE MOTOR
 3PH 16AMP 5 PH PLUG
 SUPPLY FITTED NO FURTHER
 THAN 1METRE FROM MOTOR

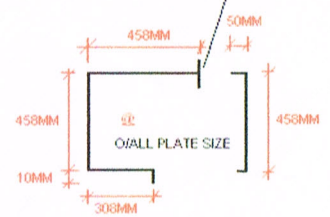


PLAN VIEW OF BARREL, MOTOR AND SAFETY BRAKE

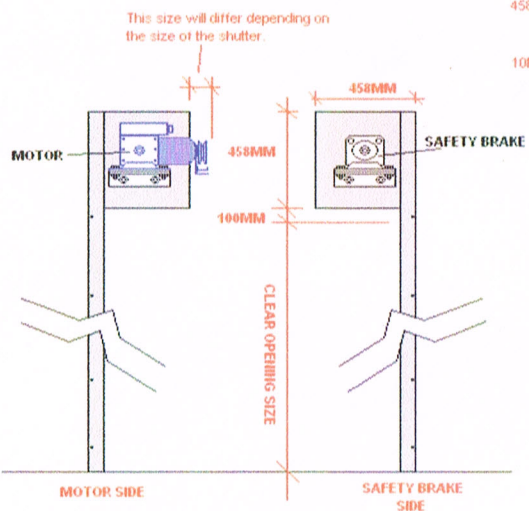


SIDE GUIDE, STAND OFF ANGLE AND FIXING POSITION.

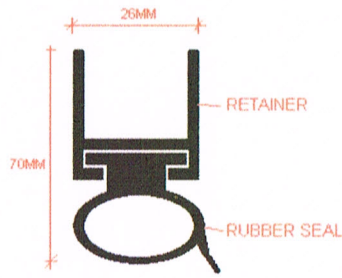
CANOPY CAN BE MADE WITH
 EITHER UPSTAND OR DOWN STAND



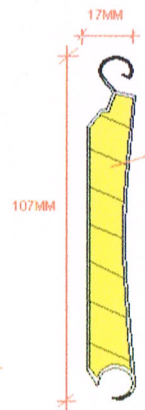
CANOPY AND FASCIA



SIDE SUPPORTS FOR FACE FIXED INDUSTRIAL ROLLER SHUTTER

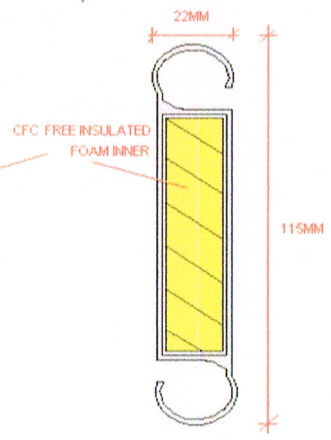


STANDARD RUBBER BOTTOM SEAL



LIGHTER DUTY INSULATED STEEL LATH

14KG PER MTR SQ



STANDARD INSULATED STEEL LATH

20KG PER MTR SQ

WEIGHTS

CUSTOMER:	DATE	CHECKED	APPROVED
	SITE:	SCALE	SEC
DRAWING NUMBER			REV

DETAILS

Laths rigidly constructed from galvanised cold rolled steel in 0.7mm material with double skinned with 100mm face Lath infilled with CFC free thermal foam inserts.

Laths held in place using purpose-designed plastic moulded end fittings.

The bottom of the shutter is terminated with a purpose designed plastic extrusion complete with a rubber weather seal.

Side guide cold rolled from 3mm thick galvanised steel incorporating twin vertical brushes on both inner and outer face of the guide.

NOTES

FIXING DETAIL

If the face fix option is required then the side fixings are replaced with bolts and locking nuts.

If the side fix option is required then the fixing to the face fix side is removed completely and no holes are drilled in this face.

DRAWING TITLE

DIRECT DRIVE INDUSTRIAL INSULATED ROLLER SHUTTER WITH LEFT HAND MOTOR

B GID
flexibility is our strength

BIRMINGHAM GARAGE & INDUSTRIAL DOORS LTD
 UNIT 3, 10 & 12
 GRIFFIN INDUSTRIAL ESTATE
 PEWICK CRICKET LAINE
 ROWLEY REGIS
 WEST MIDLANDS
 B65 0SH

TEL...0121 559 8666
 FAX...0121 561 1101